

Figure 1. CCB Board and Alarm Components

The main control board (CCB) is the main control board for the water heater. The alarm and its wiring are used to alert building maintenance to compressor failures. Use the following procedure to replace the CCB and install the alarm.

⚠ WARNING ELECTRICAL SHOCK HAZARD

This procedure requires removing and reconnecting 240 Volt electrical wiring. Contact with energized conductors can cause severe injury or death.

RECOMMENDED TOOLS

- Philips 1 screwdriver
- Philips 2 screwdriver
- Top enclosure key (provided with appliance)

INSTALLATION PROCEDURE

Step 1: Control Board

- 1) Note current setpoint and operating mode for reference.
- 2) Turn OFF power and water to the appliance.
- 3) Open the top enclosure lid. Use the key provided with the appliance.
- 4) Take a photo of all connections to the CCB for reference. Also see Figure 2 for reference.
- 5) Disconnect all the connectors to the CCB. Disconnect the CCB grounding wire from the enclosure. Remove the (4) mounting screws using the Philips 2 screwdriver.
- 6) Remove the existing CCB.
- 7) Place the new CCB in the same location with the same orientation. Secure the new CCB to the enclosure with the (4) mounting screws. Re-attach the CCB grounding wire to the enclosure.
- 8) Connect all the connectors to the board, carefully routing the wires so that none are pinched. Connect relay wires using the color labels provided on the board.

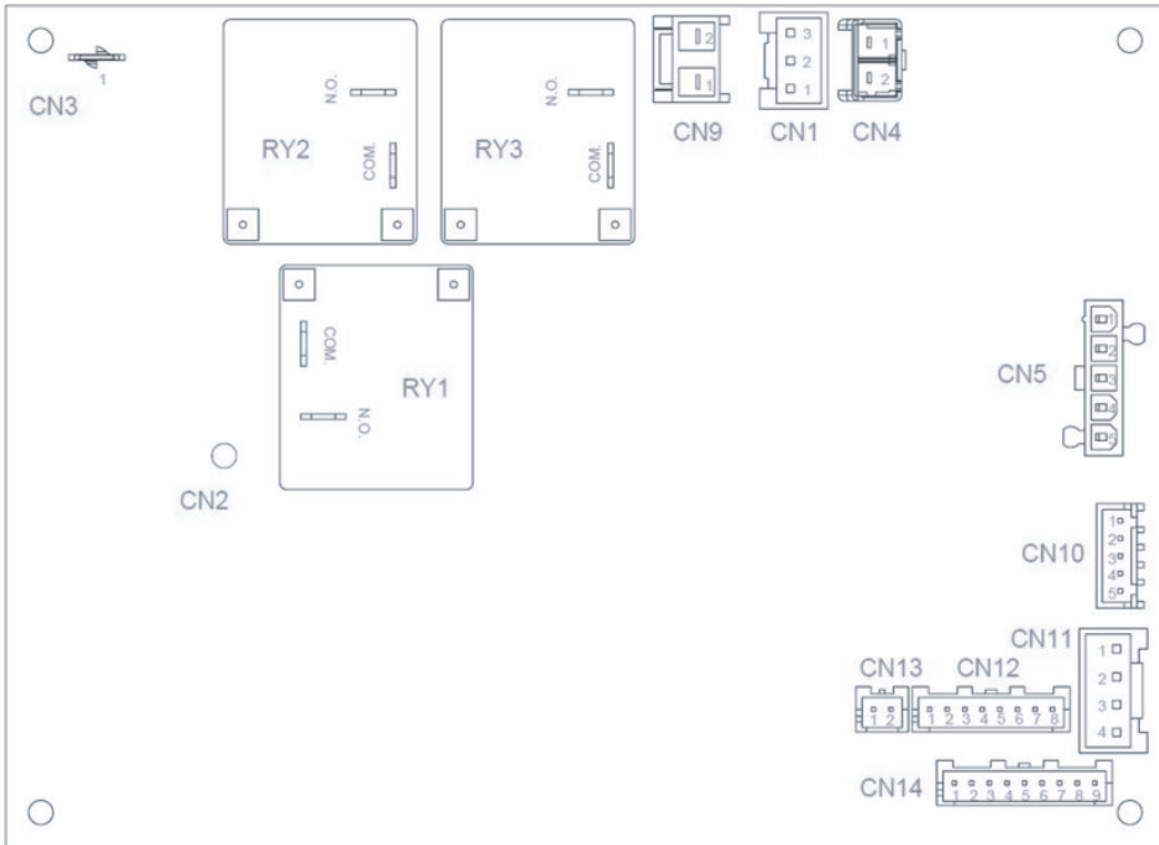


Figure 2. CCB Layout

Step 2: Alarm

- 1) Attach the buzzer to the mounting bracket as shown in Figure 3.
- 2) Prepare the buzzer by loosening the (2) screws using the Philips 1 screwdriver.
- 3) Install the (2) spade connectors into the buzzer and tighten the screws to secure the wiring harness in place.
- 4) Secure the buzzer as shown in Figure 4 using the included adhesive tape.
- 5) Plug the wire harness into the control board in the location marked CN4 as shown in Figure 5.
- 6) Close the top enclosure lid. Relock using the key provided with the appliance.
- 7) Turn ON power and water to the appliance. An automatic dry fire sequence will begin. Once the dry fire sequence is complete, the appliance is ready to return to normal operation.
- 8) The new CCB will be set to system defaults. Reconfigure setpoint and operating mode as needed.

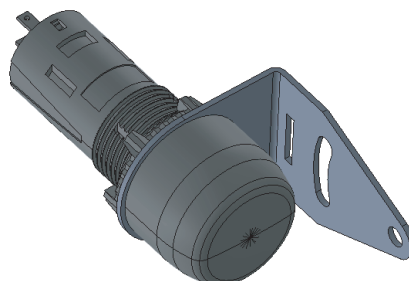


Figure 3. Buzzer Attached to Mounting Bracket

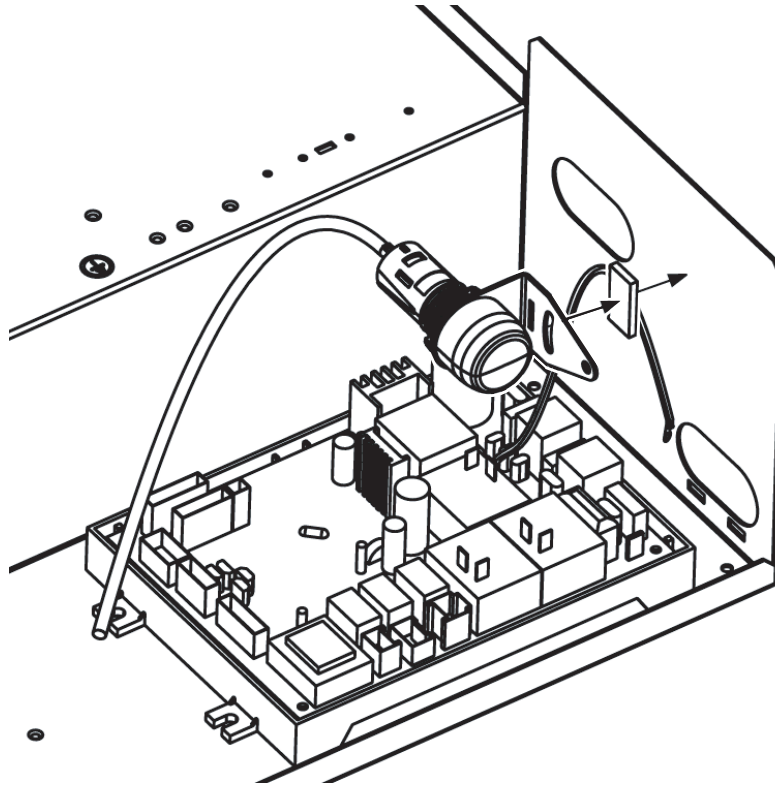


Figure 4. Securing Buzzer Bracket to Enclosure

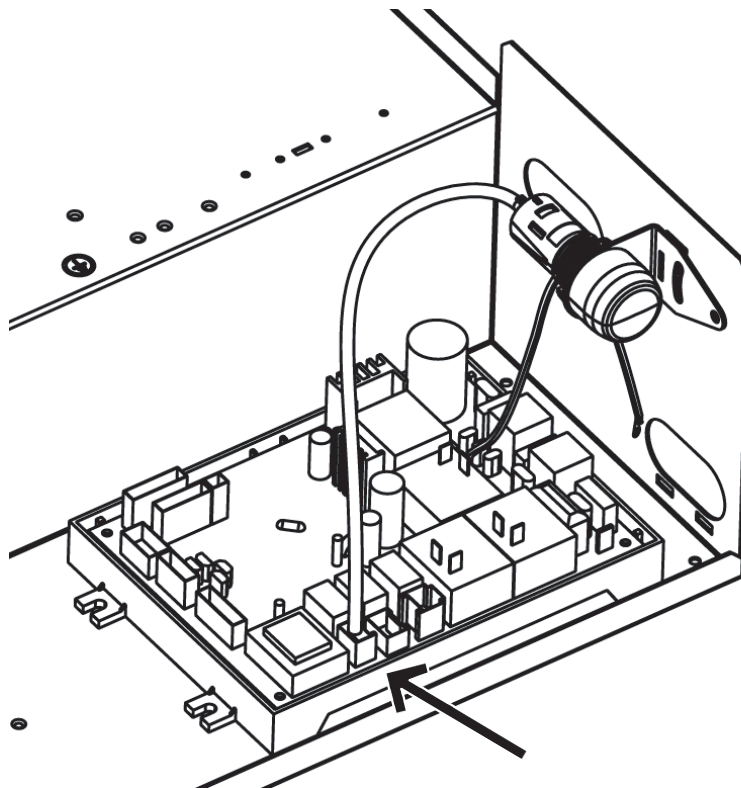


Figure 5. Connecting Wiring Harness to CN4 on CCB

